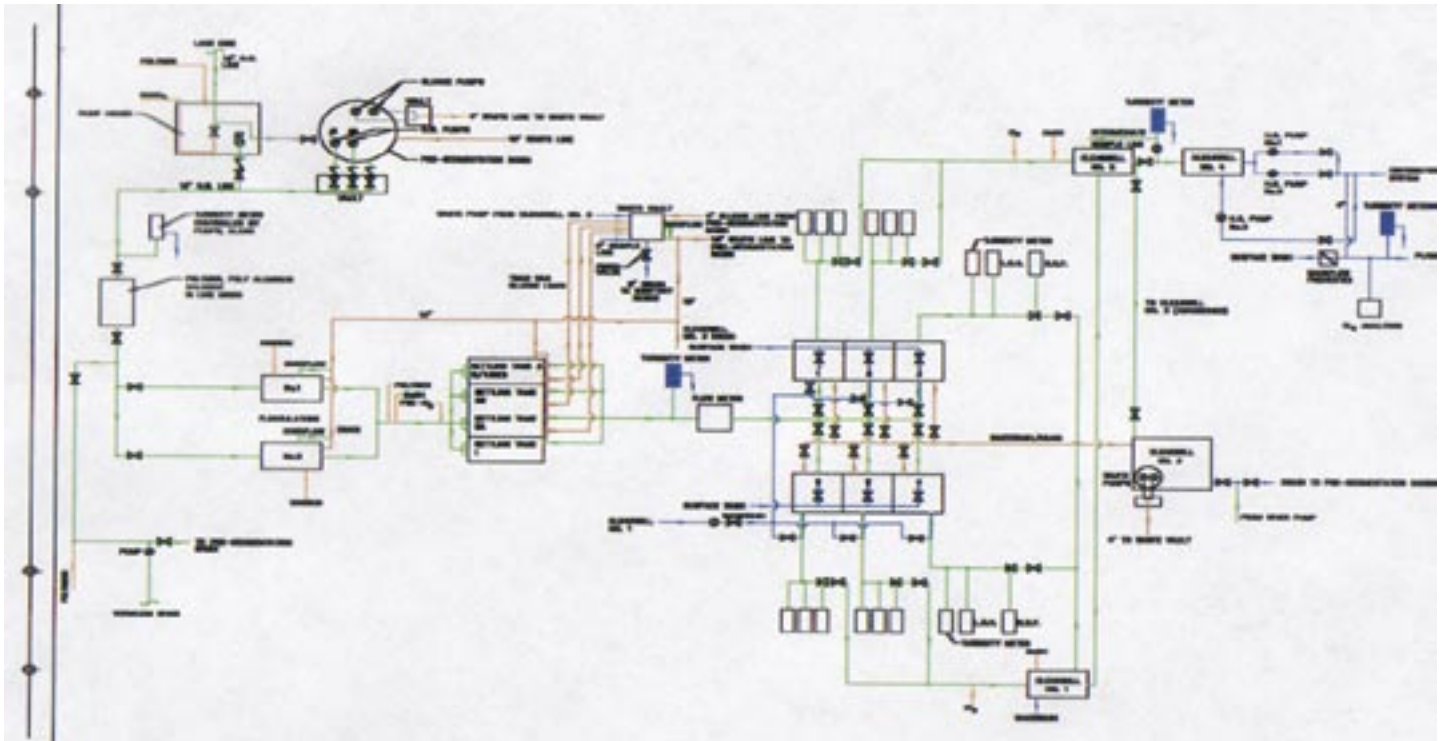




Michael Benza & Associates, Inc.
Consulting Engineers and Surveyors
6860 West Snowville Road
Brecksville, Ohio 44141
Phone: (440) 526-4206 Fax: (440) 546-2691
www.mbenzaengr.com

Water Supply Engineering

Professional Services



Water Plant Flow Schematic

Treatment Plants

- Ground Water
- Surface Water
- Rehabilitation
- Operations Analysis
- O+M Manuals
- User Charge Studies

Distribution Systems

- Transmission/Distribution Lines
- Pumping Stations
- Storage Facilities
- Waterline Cleaning/Re-Lining
- Computerized Distribution
Flow Analysis



Water Tower Design



Michael Benza & Associates, Inc.
Consulting Engineers and Surveyors
6860 West Snowville Road
Brecksville, Ohio 44141
Phone: (440) 526-4206 Fax: (440) 546-2691
www.mbenzaengr.com

Water Supply Engineering

Representative Clients/Projects



Water Plant Design

Village of New Middletown

- Elevated Storage Tank
- Distribution System

Mahoning County

- Craig Beach Treatment Plant/Distribution Lines

City of Cleveland Heights

- Water Line Replacements
- Waterline Cleaning/Relining
- Computerized Distribution Analysis

City of East Cleveland

- Computerized Distribution Analysis
- Water Line Replacements
- User Charge Study

City of Bay Village

- Computerized Distribution Analysis
- Water Line Replacements

City of Oberlin

- System Evaluation



Control System Design



Rehabilitation Design Services